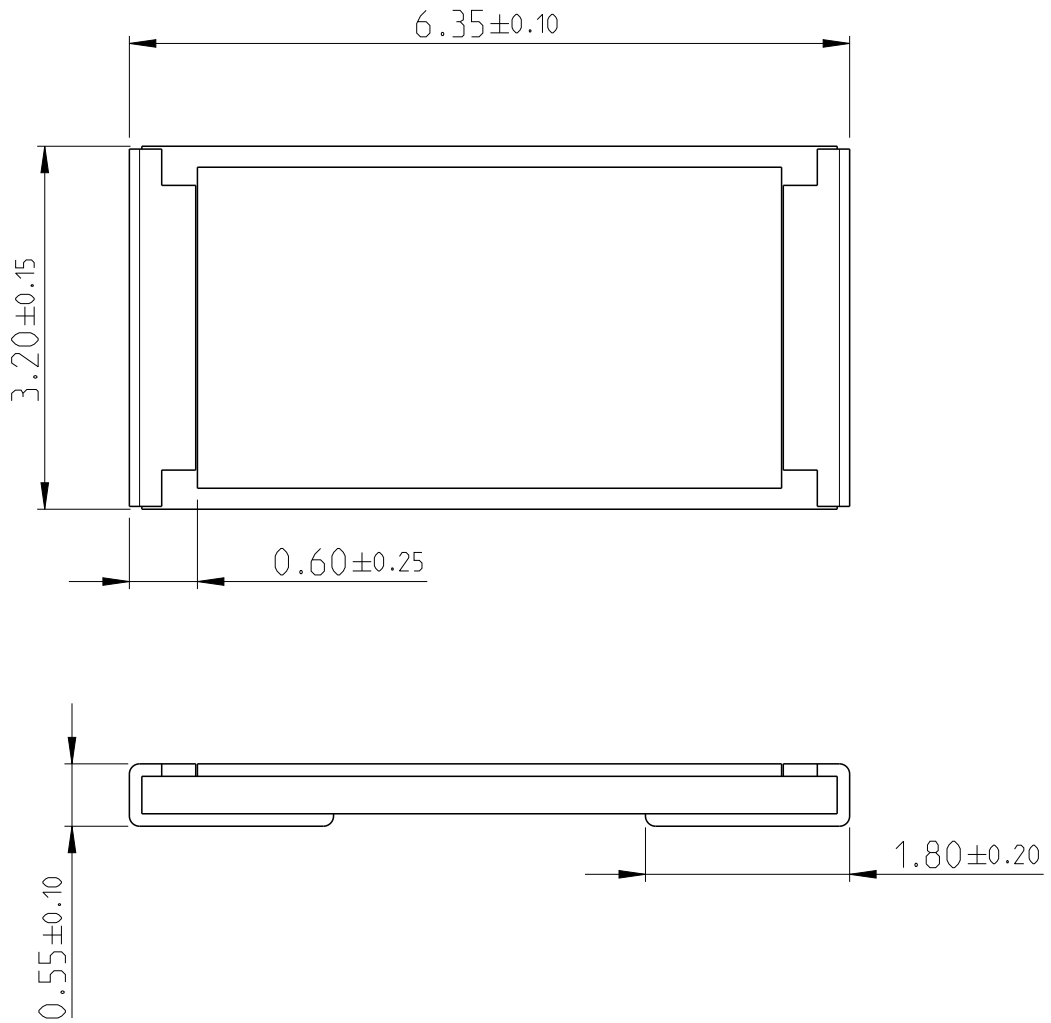


LOC	DIST	REVISIONS					
-	-	P	LTR	DESCRIPTION	DATE	DWN	APVD
		BB1	ECR-15-009468		23JUN2015	KR	TN

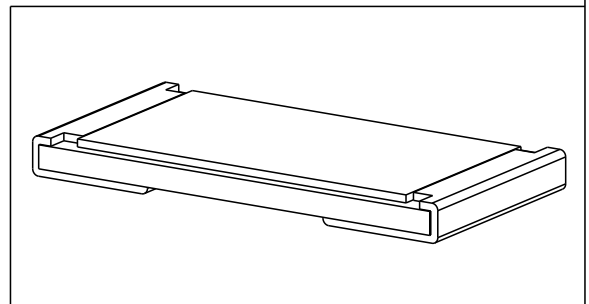


FOR FURTHER INFORMATION SEE DATA SHEET FOR 3521 SERIES


RoHS Compliant



PDB LAYOUT PLAN



20  
 RELEASED FOR PUBLICATION  
 ALL RIGHTS RESERVED.  
 BY -  
 THIS DRAWING IS UNPUBLISHED.  
 © COPYRIGHT 20

DIMENSIONS: mm	DWN DARSHAN MS	15MAR2012	MATERIAL	-	FINISH	-			
	CHK ALLAN P	15MAR2012	 TE Connectivity						
TOLERANCES UNLESS OTHERWISE SPECIFIED:	APVD STEPHEN.P	15MAR2012							
	0 PLC ±	PRODUCT SPEC	NAME SMD POWER RESISTORS - TYPE 3521 SERIES						
1 PLC ±0.5	-	APPLICATION SPEC	SIZE	CAGE CODE	DRAWING NO	RESTRICTED TO			
2 PLC ±0.13	-	-	A 4	00779	C-2176070	-			
3 PLC ±0.013	WEIGHT	0.03806 Gram	SCALE		40:1	SHEET	1 OF 1	REV	BB1
4 PLC ±0.0001	Customer Drawing								
ANGLES ±									

